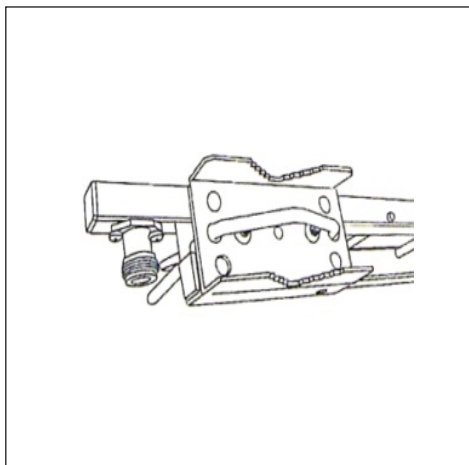
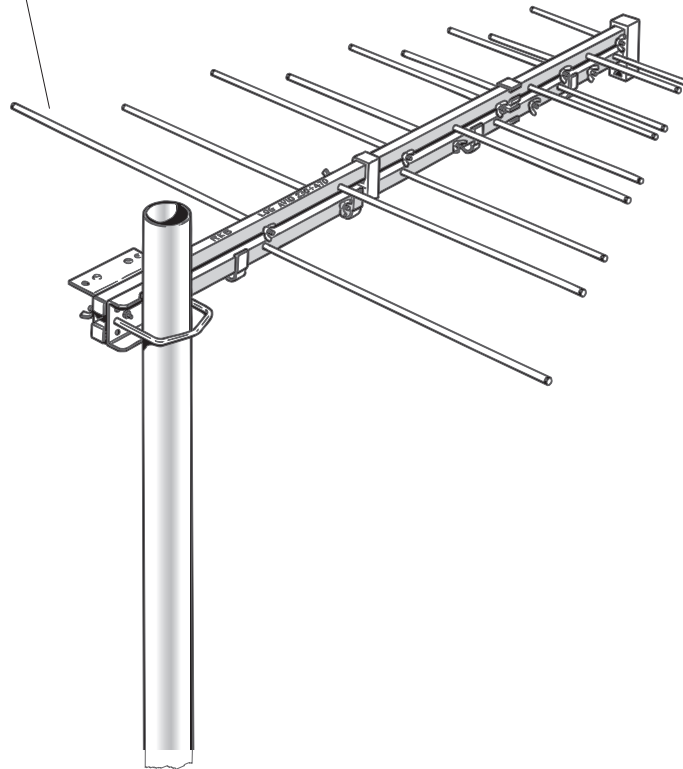
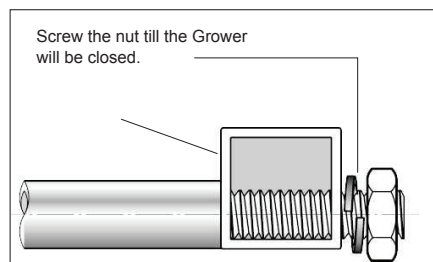


Longest semi-element upper on the left



N connector

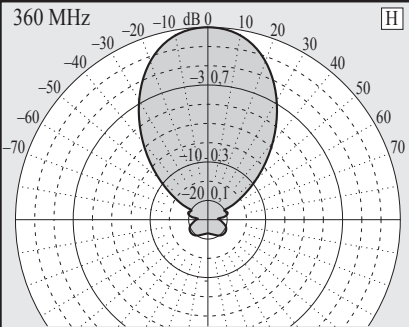
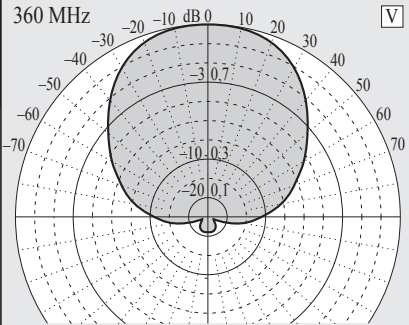


Fixing element example

Code

Tech Features

Irradiation Pattern

03A190	Package [mm]	Ø elem. [mm]	Num. elem.	Weight [g]	
	915 x 650	7	9	950	
	Freq [MHz]	◁° orizz.	◁° vert.	Return loss [dB]	
	230 ÷ 470	62°	94°	18	
	